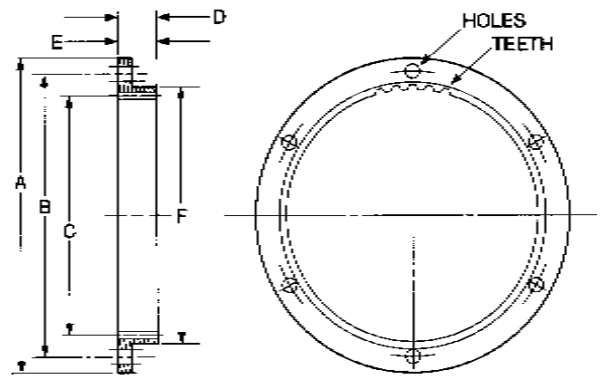


"A" TYPE



"B" TYPE

DRIVING RING DETAILS

PEC Driving Ring #	Driving Ring Type	A	B	C (Nominal)	D	E	F	Holes		Teeth No.	Approx. Net Weight lb/kg
								No.	Size		
6X-325	A	8-1/2 215.9	7-7/8 200.0	7 177.8	5/8 15.8	—	—	6	21/64 8.33	42	2-3/4 1.25
7X-312	A	9-1/2 241.3	8-3/4 225.4	7-13/16 198.4	5/8 15.8	—	—	8	21/64 8.33	47	3-3/8 1.53
8X-298	A	10-3/8 263.5	9-5/8 244.5	8-1/2 215.9	5/8 15.8	—	—	6	13/32 10.3	51	4-1/4 1.93
10X-149	A	12-3/8 314.3	11-5/8 295.3	10-1/2 266.7	7/8 22.2	—	—	8	13/32 10.3	63	7 3.17
11X-150	A	13-7/8 352.4	13-1/8 333.4	12 304.8	7/8 22.2	—	—	8	13/32 10.3	72	8 3.62
11X-151	A	13-7/8 352.4	13-1/8 333.4	12 304.8	1-7/8 47.6	—	—	8	13/32 10.3	72	18 8.16
14X-152	B	18-3/8 466.7	17-1/4 438.1	14-3/4 374.6	1-1/8 28.6	1/2 12.7	16 406.4	8	17/32 13.5	59	16-1/2 7.48
14X-153	B	18-3/8 466.7	17-1/4 438.1	14-3/4 374.6	2-3/8 60.33	1/2 12.7	16 406.4	8	17/32 13.5	59	25-3/4 11.67
14X-154	B	18-3/8 466.7	17-1/4 438.1	14-3/4 374.6	3-3/8 85.73	1/2 12.7	16 406.4	8	17/32 13.5	59	32-5/8 14.78

Note: shaded areas are metric.